

# DYNAMICROLL®

## DESCRIPTION

DYNAMICROLL® is a self-repairing roll up door designed to reach different kinds of applications, both internal and external, allowing the traffic flows and assuring high safety. Thanks to the special sliding system, that lets the curtain, without rigid elements inside it, come out from the guides, to protect itself in case of any impact during the operation of the door and allows it to reinsert after one cycle.

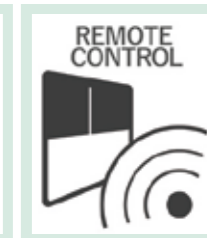
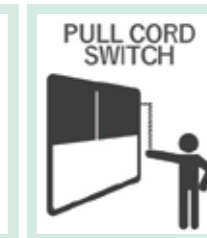
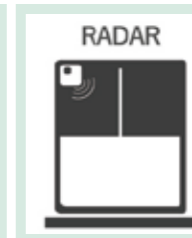
## ADVANTAGES

- ✓ Self-repairing
- ✓ Rapid
- ✓ Sealing
- ✓ Noiseless
- ✓ No rigid elements inside the curtain for 100% safety
- ✓ Plug & play (easy to install)
- ✓ Low maintenance
- ✓ Energy savings

## APPLICATION

Self-repairing Roll up door with zipper sliding system ideal for:

- ✓ Industry
- ✓ Large retailers
- ✓ Storage warehouses
- ✓ Productive laboratories
- ✓ Chemical
- ✓ Automotive
- ✓ Car wash
- ✓ Food industry



## EN13241/CF

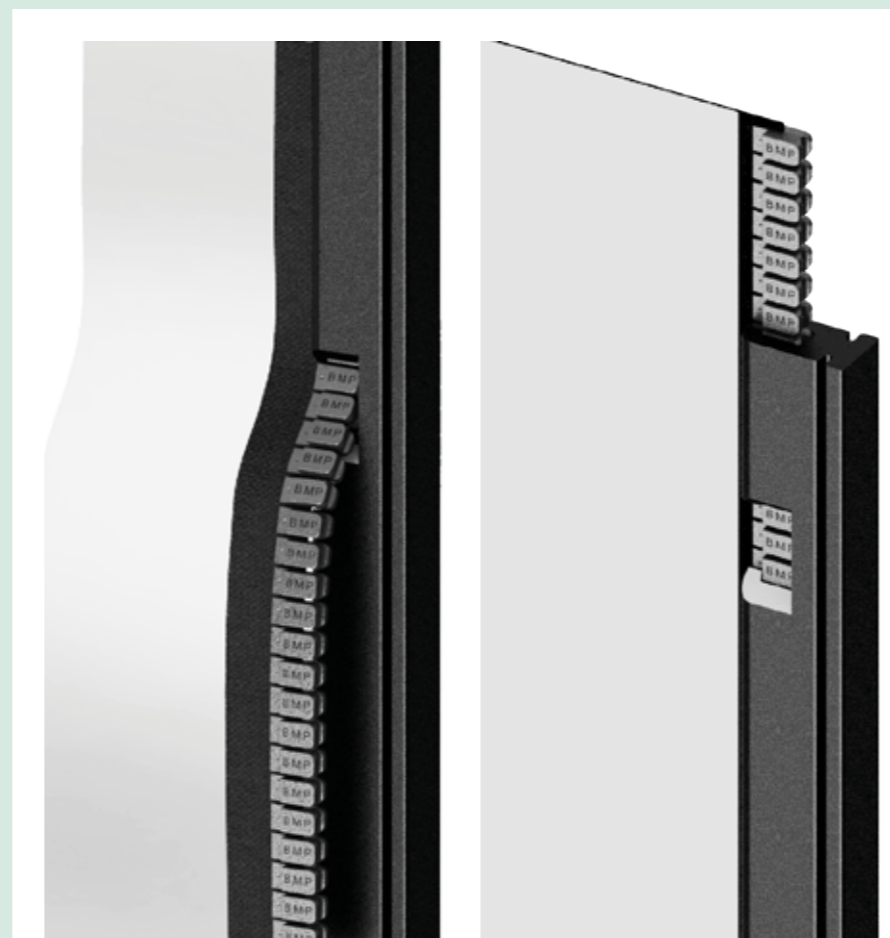
Standard	Ref.	Test acc.	Results
Water permeability	EN 12425	EN 12489	Class 1
Wind load	EN 12424	EN 12444	Class 4
Wind permeability	EN 12426	EN 12427	Class 4
Safe openings	EN 12453	EN 12445	✓
Mechanical resistance	EN 12604	EN 12605	✓
Unintended movements	EN 12604	EN 12605	✓
Thermal transmittance	EN 12428	EN 12428	6,02 W/m²K
Performance (cycles)	EN 12604	EN 12605	1.000.000

VALUES CAN CHANGE DEPENDING ON DOOR DIMENSIONS

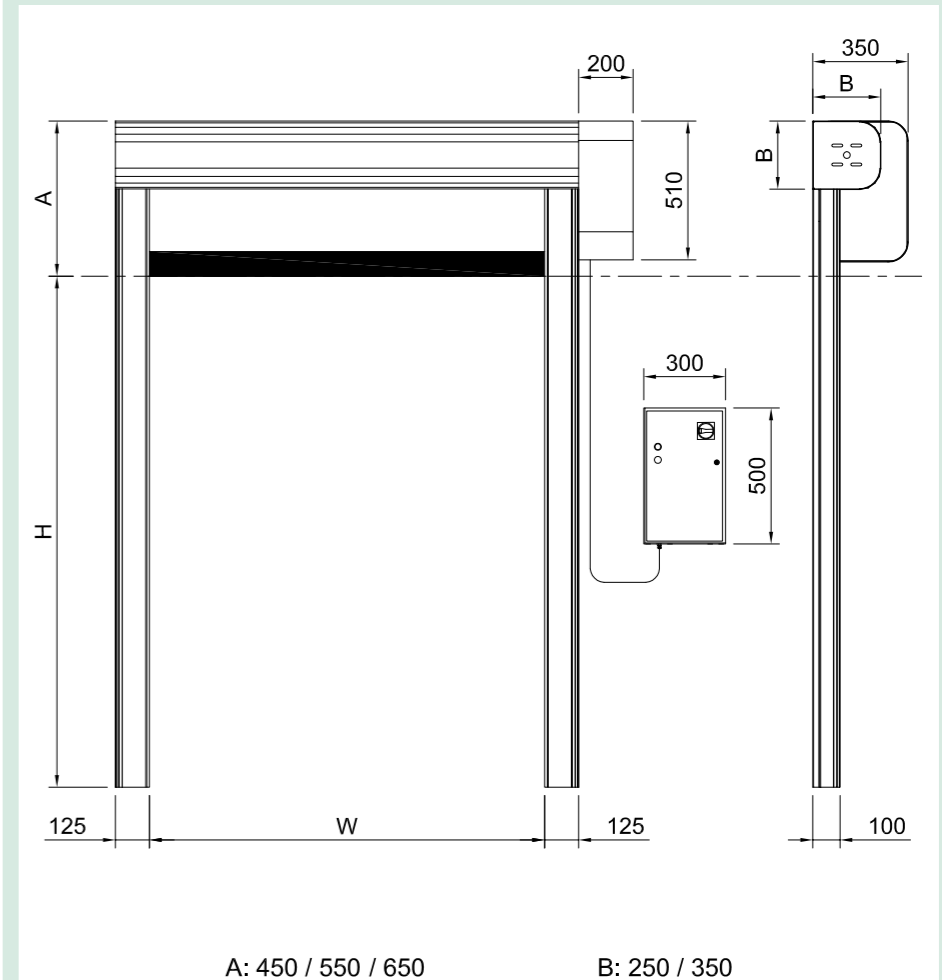
FEATURES	
Maximum dimensions	W 8000 mm x H 8000 mm
Speed	Max opening speed up to 2,5 m/s
	Closing speed 0,8 m/s adjustable
Wind resistance	3000 x 3000 Class 4 5000 x 5000 Class 3 7000 x 7000 Class 2 8000 x 8000 Class 1
Structure	Not self-supporting
Frame / motor cover hood	Standard: Galvanized Steel
	Optional: Powder coated Steel Stainless Steel 441/ 316
Curtain	Standard: PVC curtain 1300 gr/m <sup>2</sup> , 6 W/m <sup>2</sup> K
	Optional: Insulated 7 mm, 3.3 W/m <sup>2</sup> k Translucent 35/40% FDA (white) Antistatic
Sliding system	Patented sliding system with high density Polyethylene self-lubricant equipped of sliding zipper directly on curtain.
Control panel	Standard: Powder coated steel box IP54 (300 x 500 x 150 mm)
	Optional: Stainless Steel PVC box IP65 (300 x 400 x 150 mm)
	Inverter system 50/60 Hz with absolute encoder
	Power supply 1-ph, 230V max 16A
	Power supply 3-ph, 400V max 10A
	Power supply 3-ph, 230V max 16A
	Star/Stop Button
	2 free contacts (door open/ closed/ allarme)
	Automatic/ Manual Interlocking between 2 doors
IP rating for motor and control panel IP54	
Wiring	Plug and Play system IP65

FEATURES	
Safeties	Standard: Photocells set IP65 Anti-jam sensor reverse WiFi safety edge IP65
	Optional: Multi ray light curtain barrier H2500 IP67
Emergency opening	Standard: Hand crank
	Optional: Chain system Counterweight system UPS Battery
Advising operative temperature	Operating till - 30° C * with heating kit added - Not apt to be installed in negative/positive temperature
Cycles (EN 12604)	1.000.000 (tested)

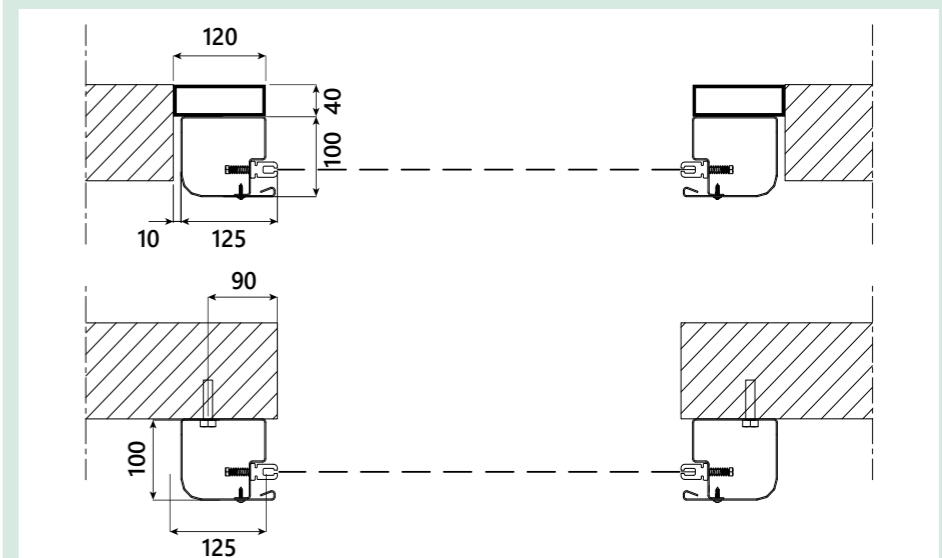
### SLIDING SYSTEM / SELF-REPAIRING



### DOOR SPACE REQUIREMENTS



### FIXING DETAILS



### AVAILABLE COLOURS

Simil RAL 9010	Simil RAL 2004	Simil RAL 7042	Simil RAL 5012
Simil RAL 1015	Simil RAL 3002	Simil RAL 7037	Simil RAL 5002
Simil RAL 1003	Simil RAL 6026	Simil RAL 7035	

\*BMP Europe S.r.l. reserves the right to change the characteristics of its products or components without prior notice, depending on its policy of continuous product development. The doors shown are example applications. No part or excerpt may be reproduced without our prior permission.







**IDEAL FOR**

- Industry / Industria
- Large-scale retail / Grande distribuzione
- Warehouses / Magazzini di stoccaggio
- Manufacturing laboratories / Laboratori produttivi
- Chemical / Chimica
- Automotive / Automotive
- Car Wash / Autolavaggi
- Food processing / Alimentare

**IDEALE PER**

**DynamicRoll®**

# Technical data

## PVC CURTAIN / TELO PVC 1,3 mm - 1300 gr/m<sup>2</sup>

- |   |   |   |   |
|---|---|---|---|
| Simil RAL 9010 <input type="checkbox"/> | Simil RAL 2004 <input type="checkbox"/> | Simil RAL 7042 <input type="checkbox"/> | Simil RAL 5012 <input type="checkbox"/> |
| Simil RAL 1015 <input type="checkbox"/> | Simil RAL 3002 <input type="checkbox"/> | Simil RAL 7037 <input type="checkbox"/> | Simil RAL 5002 <input type="checkbox"/> |
| Simil RAL 1003 <input type="checkbox"/> | Simil RAL 6026 <input type="checkbox"/> | Simil RAL 7035 <input type="checkbox"/> |   |

- |   |   |   |   |
|---|---|---|---|
| Simil RAL 9010 <input type="checkbox"/> | Simil RAL 3002 <input type="checkbox"/> | Simil RAL 7035 <input type="checkbox"/> | Simil RAL 9005 <input type="checkbox"/> |
| Simil RAL 1015 <input type="checkbox"/> | Simil RAL 8014 <input type="checkbox"/> | Simil RAL 7037 <input type="checkbox"/> | Simil RAL 5010 <input type="checkbox"/> |
| Simil RAL 1003 <input type="checkbox"/> | Simil RAL 6026 <input type="checkbox"/> | Simil RAL 7042 <input type="checkbox"/> | Simil RAL 5002 <input type="checkbox"/> |
| Simil RAL 2004 <input type="checkbox"/> | Simil RAL 6018 <input type="checkbox"/> | Simil RAL 9006 <input type="checkbox"/> | Simil RAL 5012 <input type="checkbox"/> |

## PVC CURTAIN / TELO PVC 0,9 mm - 900 gr/m<sup>2</sup>



## INSULATED CURTAIN / TELO COIBENTATO 3,5 mm - 1300 gr/m<sup>2</sup>

- |   |   |   |   |
|---|---|---|---|
| Simil RAL 9010 <input type="checkbox"/> | Simil RAL 6026 <input type="checkbox"/> | Simil RAL 7035 <input type="checkbox"/> | Simil RAL 5002 <input type="checkbox"/> |
|---|---|---|---|

- |   |   |   |
|---|---|---|
| Simil RAL 9010 <input type="checkbox"/> | Simil RAL 2004 <input type="checkbox"/> | Simil RAL 7035 <input type="checkbox"/> |
| Simil RAL 1003 <input type="checkbox"/> | Simil RAL 3002 <input type="checkbox"/> | Simil RAL 5002 <input type="checkbox"/> |

## INSULATED CURTAIN / TELO COIBENTATO 7 mm

- Simil RAL 9010

## FOOD CURTAIN (FDA) 1,7 mm - 1700 gr/m<sup>2</sup>

TYPE OF COATING AND FINISH / MATERIALE FINITURA TELO		
Coating material / Materiale	PVC	
Top coating / Finitura	Lacquered finishing on both sides / Laccato su entrambi i lati	
Flammability / Resistenza al fuoco	ISO 3795 < 100 mm/min.	
Best weight / Peso totale	900 / 1300 g/m <sup>2</sup>	DIN EN ISO 2286-2
Tensile strength / Resistenza alla trazione	4300 / 4000 N/50 mm	DIN EN ISO 1421/V1
Tear strength / Resistenza alla lacerazione	500 / 500 N	DIN 53363
Adhesion / Adesione	20 N/cm	LB 3.04-1
Low temperature resistance / Resistenza al freddo	-40 °C	DIN EN 1876-1
High temperature resistance / Resistenza al caldo	+70 °C	LB 3.15
Color fastness to light / Solidità alla luce	>6 Value / Note	DIN EN ISO 105 B02
Bending strenght / Resistenza alle piegature	No creases / Nessuna piega	10.000 x @ DIN 53359 A

TESSUTO DI SUPPORTO / BASE FABRIC		
Material / Materiale	DIN ISO 2076	
Yarn count / Titolo del filato	1100 dtex	DIN ISO 2060
Weave / Armatura	P2/2	
Notes / Note	Complies with DIN EN 12641-2 / Soddisfa i requisiti DIN EN 12641-2	



### TECHNICAL DATA / DATI TECNICI

Maximum door size (W x H) / Dimensioni massime (L x H)	8000 x 8000 mm	Wind load / Resistenza al vento: 3000 x 3000 5000 x 5000 7000 x 7000 8000 x 8000	Class / Classe: 4 3 2 1
Opening speed / Velocità d'apertura	~ 2,5 m/sec.		
Closing speed / Velocità di chiusura	0,8 m/sec.*	Applications / Applicazioni	Inside and outside / Interno ed esterno

\* Adjustable / Regolabile